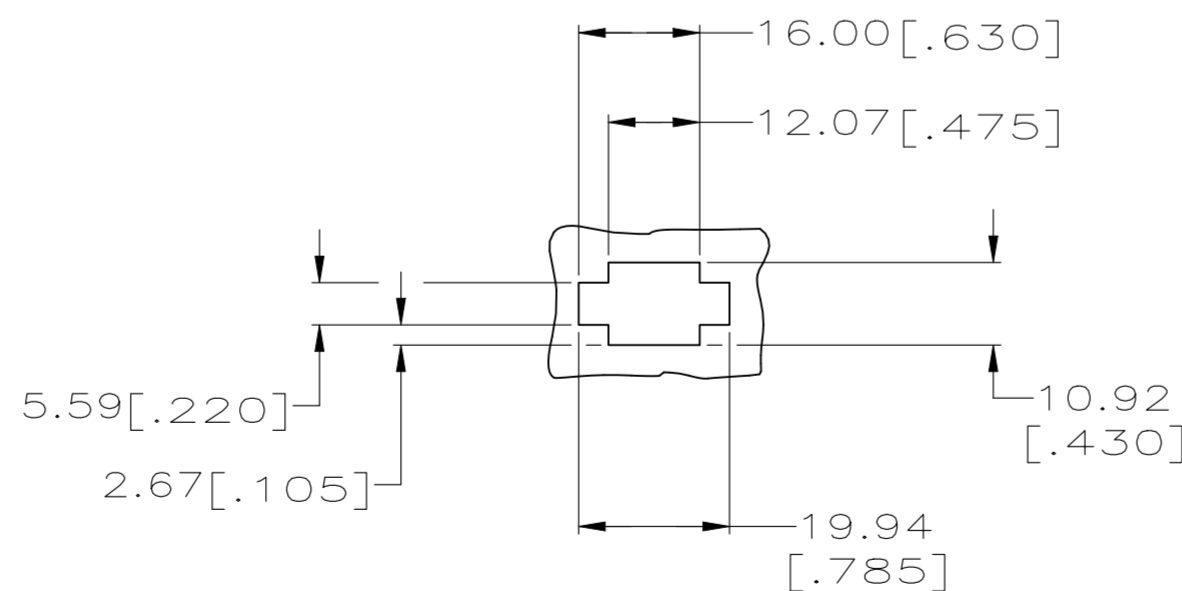
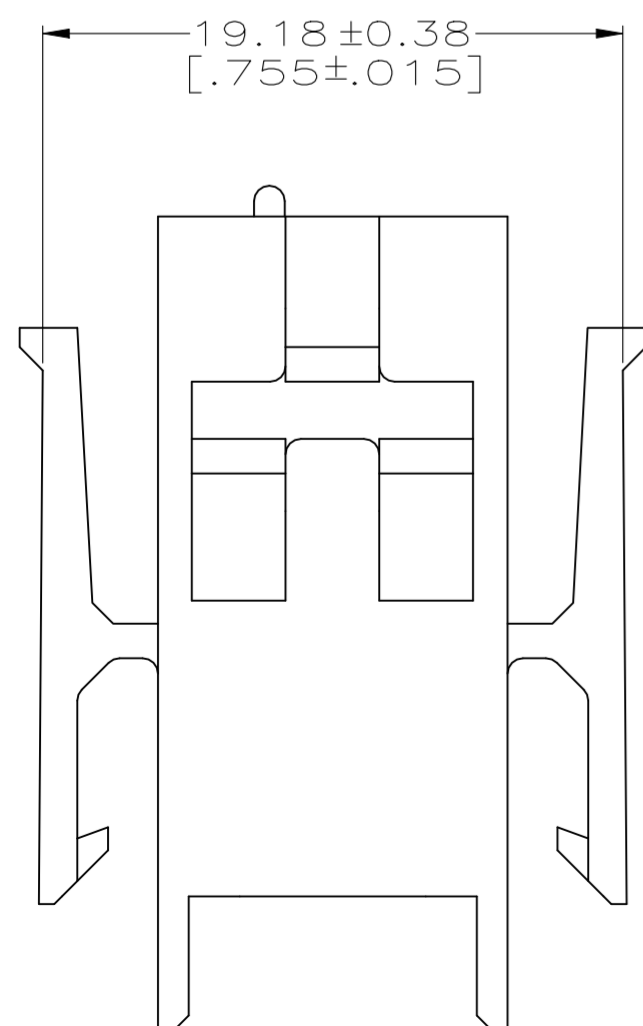
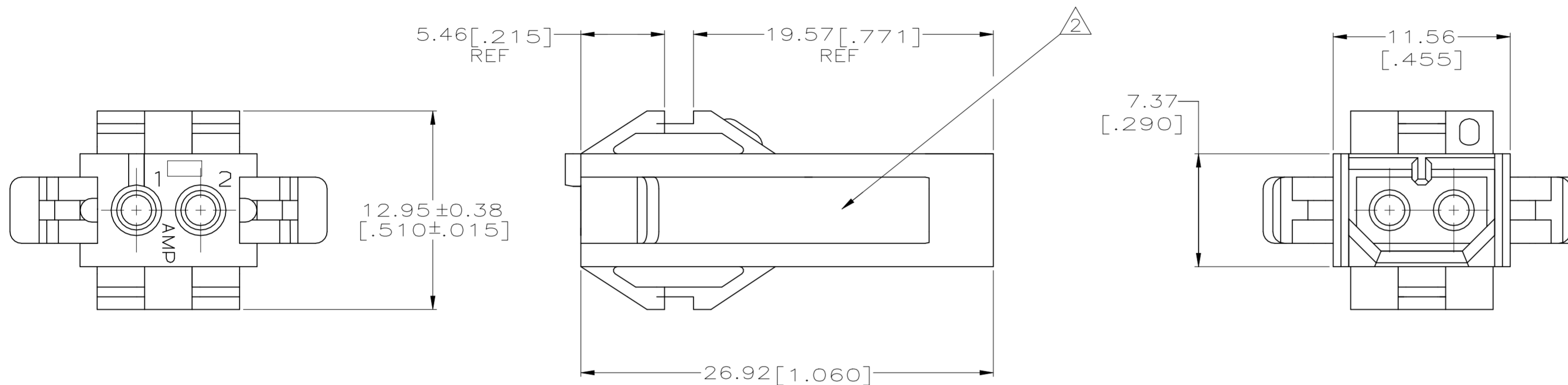
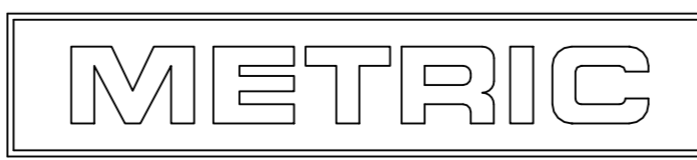


REVISIONS					
P	LTR	DESCRIPTION	DATE	DWN	APVD
J		REVISED PER ECO-21-005962	19MAY2021	RK	MZ

- 1. MATES WITH HOUSING 640517.
- 2. UL LOGO AND CSA LOGO TO APPEAR ON EITHER LATCH SURFACE PER AMP SPEC 202-20, I.D. NO. 1-18838-3 AND 1-18839-3. FROST BACKGROUND OPTIONAL.
- 3. DIMENSIONS IN BRACKETS ARE IN INCHES.
- 4. HOUSING MATERIAL: PA66, BLACK, UL 94 V-0 RATED



RECOMMENDED CUT OUT
FOR 1.73 [.068] MAX THICK PANEL
SCALE 1:1



1-640507-0
PART NUMBER

THIS DRAWING IS A CONTROLLED DOCUMENT.		DWN R. VESTAL 7-12-96		
DIMENSIONS: mm [INCHES]		CHK R. SWING 7-12-96		
TOLERANCES UNLESS OTHERWISE SPECIFIED:		APVD A. BEDDICK 7-12-96	NAME HOUSING, CAP MRII 2 POSITION	
0 PLC ± -		PRODUCT SPEC	SIZE A2	CAGE CODE 00779
1 PLC ± -		APPLICATION SPEC	DRAWING NO C-640507	RESTRICTED TO
2 PLC ± 0.13 [.005]		WEIGHT	SCALE 4:1	SHEET 1 of 1
3 PLC ± -		MATERIAL	REV J	
4 PLC ± -		FINISH	CUSTOMER DRAWING	
ANGLES ± 0°30'				

Mouser Electronics

Authorized Distributor

Click to View Pricing, Inventory, Delivery & Lifecycle Information:

[TE Connectivity:](#)

[1-640507-0](#)